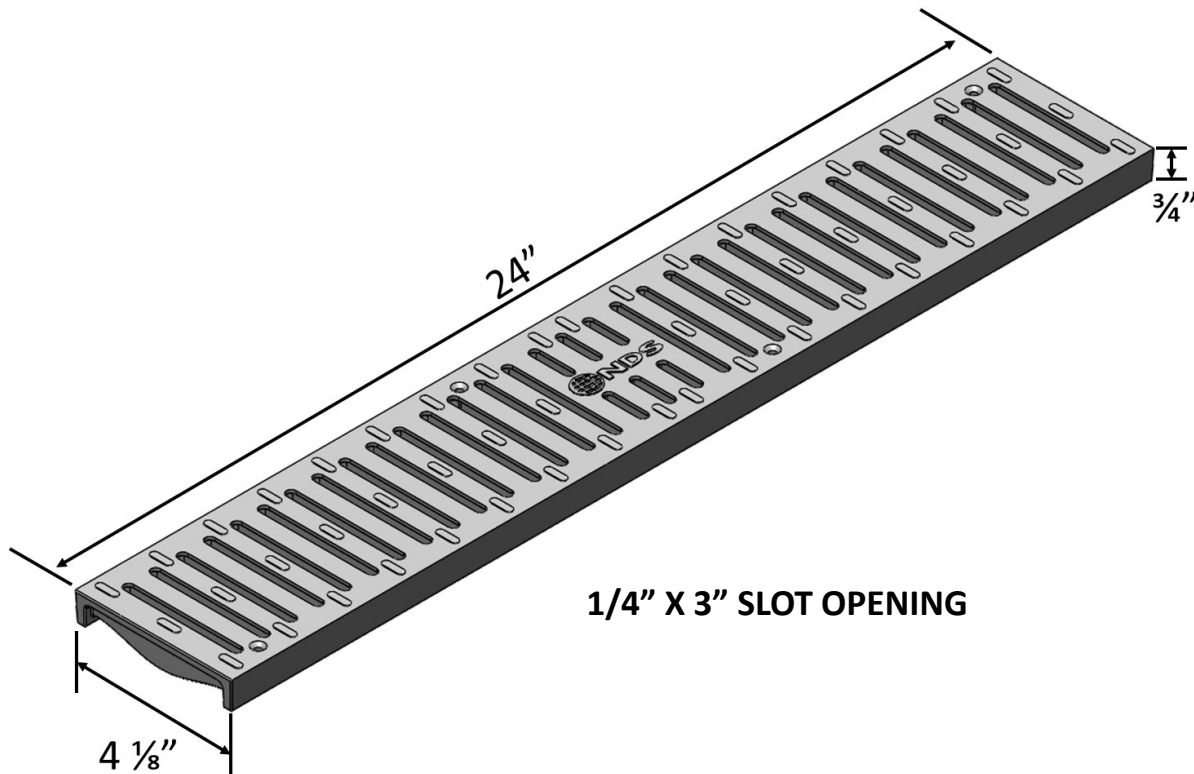


Spee-D Channel 2Ft. HDPE Slotted Grate



1/4" X 3" SLOT OPENING



Class B

- Loads of 61-175 psi.
- Recommended for medium-duty pneumatic tire traffic, autos and light trucks at speeds less than 20 m.p.h.

MADE IN THE U.S.A.

PART #: 240, 241, 242, 243, 244, 251

MATERIAL: HDPE (HIGH DENSITY POLYETHYLENE)

COLOR: #240(WHITE), #241(GRAY), #242 (GREEN),

#243 (BLACK) #244 (SAND) #251 (BRICK RED)

UV INHIBITORS

FITS: SPEE-D #400, #400-10

GRATE OPENING: 1/4" X 3"

OPEN SURFACE AREA: 16.76 IN²/FOOT

HEAD PRESSURE (IN) - FLOW RATE PER GRATE:

- 0.5" - 51.3 GPM

- 1" - 72.6 GPM

WEIGHT: 1.15 LBS

ADA Compliant/Heel-proof

ADA Compliance

NDS provides a wide selection of grates that are compliant with the Americans with Disabilities Act. The ADA Accessibility Guidelines For Buildings and Facilities Section 4.5.4 specifies that ground and floor grates "shall have spaces no greater than 1/2 in (13 mm) wide in one direction."

We are pleased to provide grates that comply with these requirements, so that no individual need be limited from accessing the area safely and confidently.

To see if a grate is ADA compliant, please check the description of the product in our [NDS Drainage Catalog](#): products that meet these requirements are marked "ADA compliant."

Like to find out more about ADA compliance and NDS? Send us your question and we'd be happy to help.



