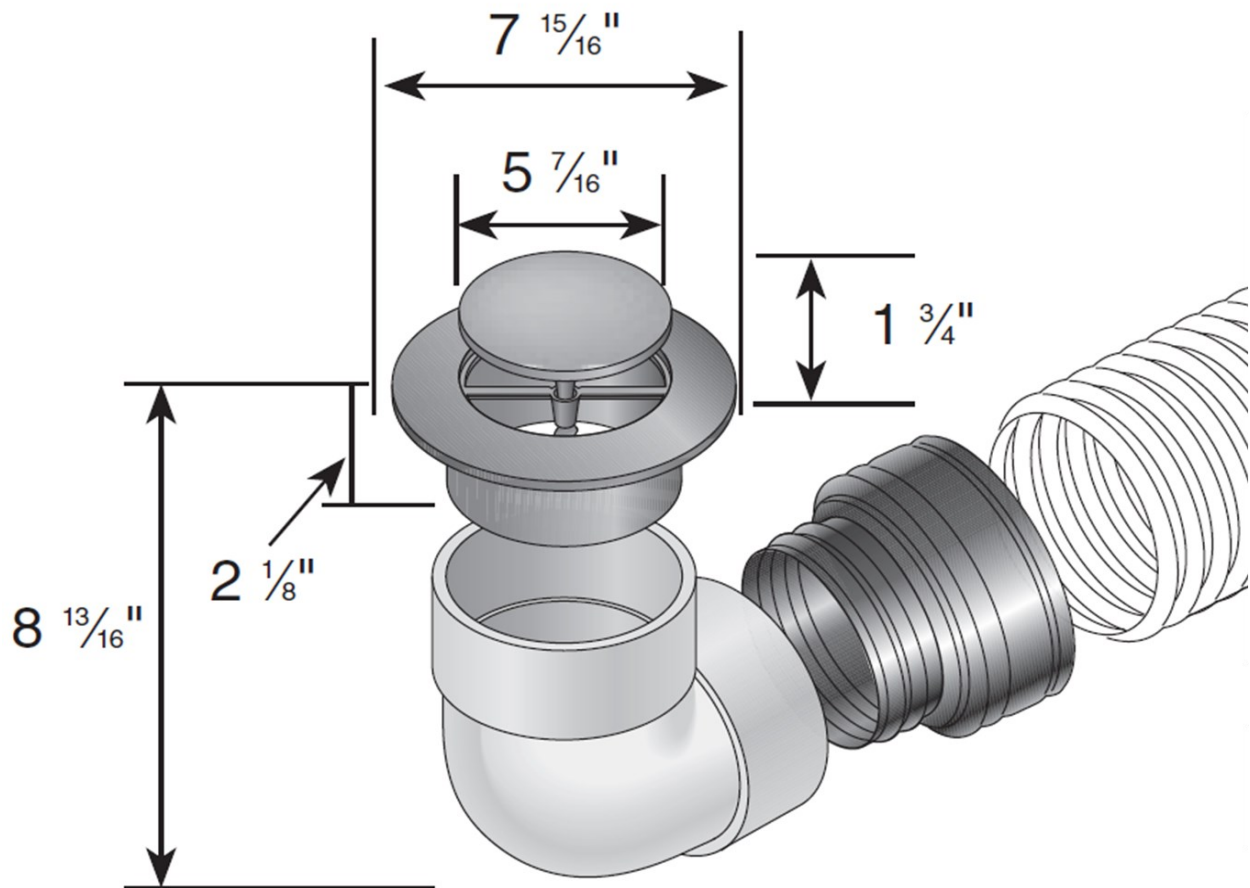


6" Pop Up Emitter with Elbow and



Part #: 624 - Center Spring Loaded
 Material: High Density Polypropylene (HDPE)
 Color: Green
 Fits: 6" sewer and drain pipe, with corrugated adapter
 fits 6" corrugated pipe
 Spring: Stainless Steel Grade 302.
 Open Pressure: 1 PSI
 Open Surface Area: 28.8 Sq. Inches
Flow Rate:
 1" Head = 124.60 GPM
 0.5" Head = 88.10 GPM
 Elbow: 1/4" drain hole
 Weight Per Each: 2.55 lbs.
 UV inhibitor

Load Recommendation Guide



Class A

- Loads of 1-60 psi.
- Recommended for pedestrians, bicycles and wheel chair traffic.

