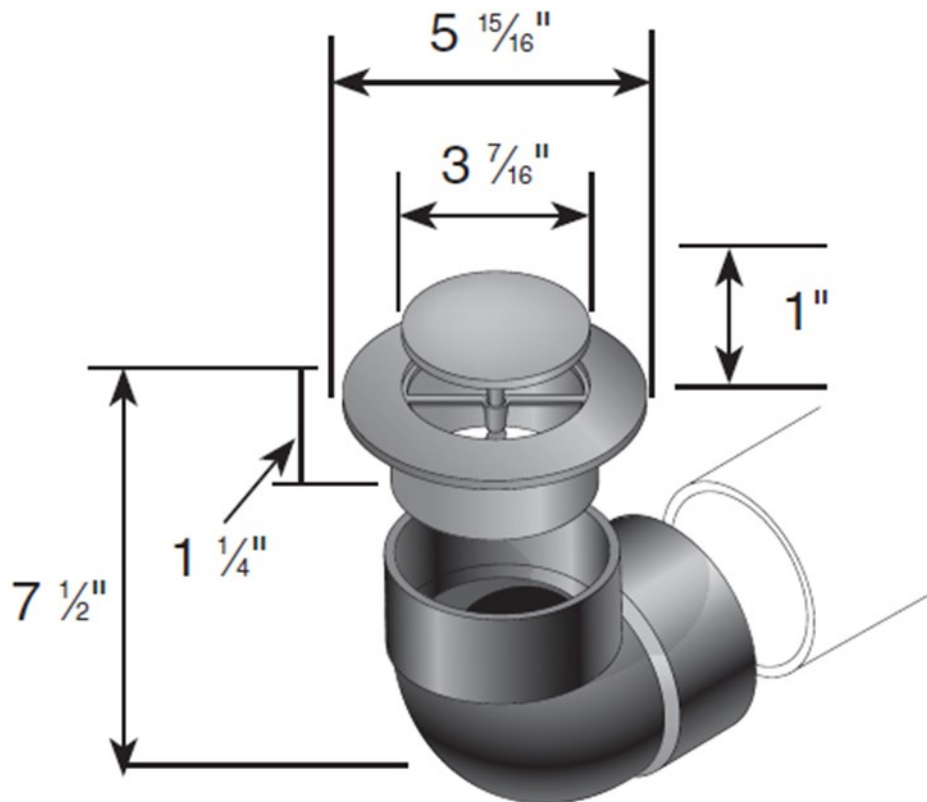


## 4" DRAINAGE POP-UP EMITTER WITH ELBOW



WEIGHT per EACH:

.719

Material: High Density Polypropylene (HDPE)  
 Colors: Green (421)  
 Fits: Use with 4" Sewer and Drain pipe. May also be used with Flo-Well to relieve overflow.  
 Will accommodate 40 gallons per minute

### Load Recommendation Guide



#### Class A

- Loads of 1-60 psi.
- Recommended for pedestrians, bicycles and wheel chair traffic.

