



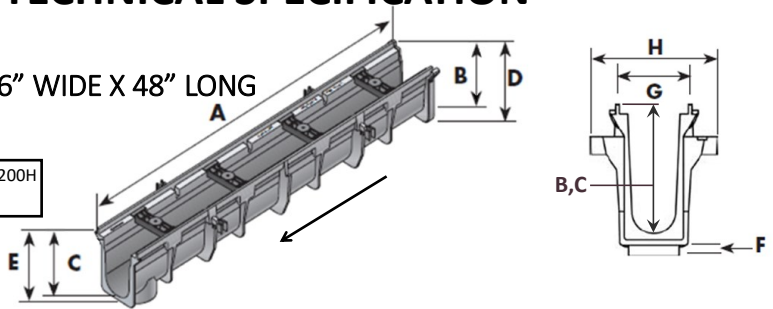
TECHNICAL SPECIFICATION

DIMENSION KEY

- A: LENGTH - 48" (4 FT)
- B: MIN. INVERT DEPTH
- C: MAX. INVERT DEPTH
- D: UPSTREAM BODY DEPTH
- E: DOWNSTREAM BODY DEPTH
- F: BOTTOM OUTLET DEPTH—0.65"
- G: GRATE WIDTH—6"
- H: LEVELOC™ RE-BAR SUPPORT WIDTH—10.185"

**NDS-DURA SLOPE™ 6" WIDE X 48" LONG
LOAD CLASS A - D****

****LOAD CLASS "D" REQUIRES DS-200H
DUCTILE IRON FRAME**

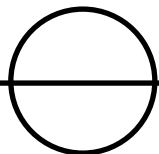


(*1) BASED ON HEAD OF 1/2" ABOVE THE GRATE. ENGINEER OF RECORD TO VERIFY DOWNSTREAM CAPACITIES.
 (*2) BOTTOM OUTLET FLOW RATES LISTED BASED ON USING DS-126, (3.58" I.D.) FOR SEWER & DRAIN PIPE. WHEN SCHEDULE-40 IS USED (4" I.D.), ADD 25% TO THE BOTTOM OUTLET FLOW RATES.
 (*3) END OUTLET FLOW RATES BASED ON 4.07" I.D.

6" WIDE x 48" LONG			OVERALL BODY DEPTH (Inches)		INVERT (Inches)		MAXIMUM FLOW RATE			WEIGHT	BOTTOM OUTLET FLOW RATE (*1)		END OUTLET FLOW RATE (*1)	
PART NUMBER	SLOPE		UPSTREAM MIN (D)	DOWNSTREAM MAX (E)	UPSTREAM MIN (B)	DOWNSTREAM MAX (C)	GPM	LPS	CFS	Lbs	GPM (*2)	CFS (*2)	GPM (*3)	CFS (*3)
○ DS-090N	NEUTRAL	0.0%	5.4	5.8	4.75	4.75	154	9.7	0.34	7.5	100	0.22	102	0.23
○ DS-091	SLOPED	0.7%	5.7	5.8	4.75	5.08	154	9.7	0.34	7.5	100	0.22	102	0.23
○ DS-091N	NEUTRAL	0.0%	5.7	6.1	5.08	5.08	170	10.7	0.38	7.8	103	0.23	106	0.24
○ DS-092	SLOPED	0.7%	6.1	6.1	5.08	5.42	170	10.7	0.38	7.9	103	0.23	106	0.24
○ DS-093	SLOPED	0.7%	6.4	6.4	5.42	5.76	187	11.8	0.42	8.3	106	0.24	112	0.25
○ DS-094	SLOPED	0.7%	6.7	6.8	5.76	6.09	205	12.9	0.46	8.6	109	0.24	116	0.26
○ DS-094N	NEUTRAL	0.0%	6.7	7.1	6.09	6.09	223	14.1	0.50	8.9	112	0.25	120	0.27
○ DS-095	SLOPED	0.7%	7.0	7.1	6.09	6.43	223	14.1	0.50	9.0	112	0.25	120	0.27
○ DS-096	SLOPED	0.7%	7.4	7.5	6.43	6.76	237	15.0	0.53	9.4	115	0.26	125	0.28
○ DS-097	SLOPED	0.7%	7.7	7.8	6.76	7.10	256	16.2	0.57	9.7	117	0.26	129	0.29
○ DS-097N	NEUTRAL	0.0%	7.7	8.1	7.10	7.10	273	17.2	0.61	10.0	121	0.27	134	0.30
○ DS-098	SLOPED	0.7%	8.0	8.1	7.10	7.44	273	17.2	0.61	10.1	121	0.27	134	0.30
○ DS-099	SLOPED	0.7%	8.4	8.5	7.44	7.77	299	18.2	0.65	10.5	123	0.27	137	0.31
○ DS-100	SLOPED	0.7%	8.7	8.8	7.77	8.11	307	19.4	0.68	10.9	125	0.28	141	0.31
○ DS-100N	NEUTRAL	0.0%	8.7	9.1	8.11	8.11	325	20.5	0.72	11.2	128	0.29	145	0.32
○ DS-101	SLOPED	0.7%	9.1	9.1	8.11	8.44	325	20.5	0.72	11.2	128	0.29	145	0.32
○ DS-102	SLOPED	0.7%	9.4	9.5	8.44	8.78	342	21.6	0.76	11.6	130	0.29	149	0.33
○ DS-103	SLOPED	0.7%	9.7	9.8	8.78	9.12	359	22.6	0.80	12.0	133	0.30	152	0.34
○ DS-103N	NEUTRAL	0.0%	9.7	10.1	9.12	9.12	376	23.7	0.85	12.3	135	0.30	156	0.35
○ DS-104	SLOPED	0.7%	10.1	10.1	9.12	9.45	376	23.7	0.85	12.3	135	0.30	156	0.35
○ DS-105	SLOPED	0.7%	10.4	10.5	9.45	9.79	393	24.8	0.88	12.7	138	0.31	159	0.35
○ DS-106	SLOPED	0.7%	10.7	10.8	9.79	10.12	410	25.9	0.91	13.1	140	0.31	162	0.36
○ DS-106N	NEUTRAL	0.0%	10.7	11.1	10.12	10.12	428	27.0	0.95	13.4	142	0.32	166	0.37
○ DS-107	SLOPED	0.7%	11.1	11.1	10.12	10.46	428	27.0	0.95	13.4	142	0.32	166	0.37
○ DS-108	SLOPED	0.7%	11.4	11.5	10.46	10.80	445	28.1	0.99	13.8	144	0.32	169	0.38
○ DS-109	SLOPED	0.7%	11.7	11.8	10.80	11.13	462	29.1	1.03	14.2	147	0.33	172	0.38
○ DS-109N	NEUTRAL	0.0%	11.7	12.2	11.13	11.13	479	30.2	1.07	14.5	149	0.33	175	0.39
○ DS-110	SLOPED	0.7%	12.1	12.2	11.13	11.47	479	30.2	1.07	14.6	149	0.33	175	0.39
○ DS-111	SLOPED	0.7%	12.4	12.5	11.47	11.80	497	31.4	1.11	15.0	151	0.34	178	0.40
○ DS-112	SLOPED	0.7%	12.7	12.8	11.80	12.14	514	32.4	1.15	15.3	153	0.34	181	0.40
○ DS-112N	NEUTRAL	0.0%	12.8	13.2	12.14	12.14	531	33.5	1.18	15.6	155	0.35	184	0.41
○ DS-113	SLOPED	0.7%	13.1	13.2	12.14	12.48	531	33.5	1.18	15.7	155	0.35	184	0.41
○ DS-114	SLOPED	0.7%	13.4	13.5	12.48	12.81	548	34.6	1.22	16.1	157	0.35	187	0.42

SPECIFICATION:

- NDS DURA SLOPE™ IS A 6" WIDE, 48" LONG TRENCH DRAIN SYSTEM WITH A BUILT-IN SLOPE OF 0.7%. EACH CHANNEL SECTION IS MOLDED OF GRAY STRUCTURAL FOAM POLYETHYLENE WITH UV INHIBITORS. THE SYSTEM CONSISTS OF (24) PRE-SLOPED AND (9) NEUTRAL 4-FOOT CHANNEL SECTIONS WITH TONGUE AND GROOVE DURA LOC™ JOINTS THAT ENSURE PRECISE ALIGNMENT.
- OUTLETS CAN BE CONFIGURED AS BOTTOM, END OUTLET OR USE WITH A CATCH BASIN. SEE ACCESSORIES PAGE.
- ALL CHANNELS REQUIRE CONCRETE ENCASEMENT (SEE WWW.NDSPRO.COM FOR INSTALLATION DETAILS)



DURA SLOPE™ TRENCH DRAIN

6" WIDE HDPE CHANNEL DRAIN—48" LONG, LOAD CLASS A-D**

FOR PRODUCT ASSISTANCE, CONTACT NDS TECHNICAL SERVICE AT techservice@ndspro.com, DESIGN ASSISTANCE—designworx@ndspro.com
 851 N. HARVARD AVE. LINDSAY, CA 93247 WWW.NDSPRO.COM 1-800-726-1994 "3"