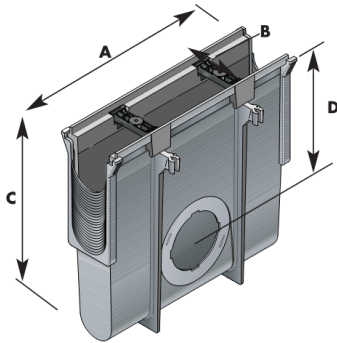




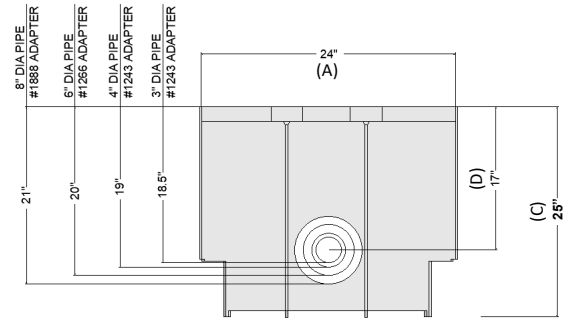
TECHNICAL SPECIFICATION

DURA SLOPE CATCH BASIN, DS-340



Dimension Key

A:	Length	24"
B:	Width	6"
C:	Depth	25"
D:	Outlet Depth (Center)	17"



DS-340 PIPE INVERT LOCATIONS

PART NUMBER	SIZE	WEIGHT	COLOR	MATERIAL
DS-340	24" L X 6" W X 25" D	12 LBS	GRAY	HDPE (HIGH DENSITY POLYETHYLENE)

CATCH BASIN OUTFLOW CAPACITY

NO. OF OUTLETS	#1243—3" OUTLET	#1243—4" OUTLET	#1266—6" OUTLET	#1888—8" OUTLET
1 OUTLET	126 GPM (0.28 cfs)	224 GPM (0.50 cfs)	505 GPM (1.13 cfs)	898 GPM (2.0 cfs)
2 OUTLETS	252 GPM (0.56 cfs)	449 GPM (1.0 cfs)	1,010 GPM (2.26 cfs)	1,796 GPM (4.0 cfs)

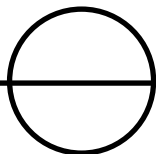
SPECIFICATION:

THE DURA SLOPE™ CATCH BASIN IS MADE FROM HIGH DENSITY POLYETHYLENE (HDPE) WITH UV INHIBITORS. IT IS TWO FEET LONG—DESIGNED AND SIZED TO ACCEPT ANY DURA SLOPE™ CHANNEL SECTION AND GRATE.

EACH CATCH BASIN INCLUDES:

- ONE BLANK GRATE INSERT
- TWO GRATE SCREWS (#629)
- ONE UNIVERSAL ADAPTER PLUG (#1206)

THERE ARE TWO OPENINGS ON EACH CATCH BASIN THAT WILL FIT UNIVERSAL OUTLETS— (#1242, #1243, #1245, #1266, OR #1888) THAT FIT 3", 4", 6" OR 8" PIPE. [ORDERED SEPARATELY]



DURA SLOPE ACCESSORIES

CATCH BASIN, DS-340

FOR PRODUCT ASSISTANCE, CONTACT NDS TECHNICAL SERVICE AT techservice@ndspro.com, DESIGN ASSISTANCE- designworx@ndspro.com
851 N. HARVARD AVE. LINDSAY, CA 93247 WWW.NDSPRO.COM 1-800-726-1994, OPTION "3"