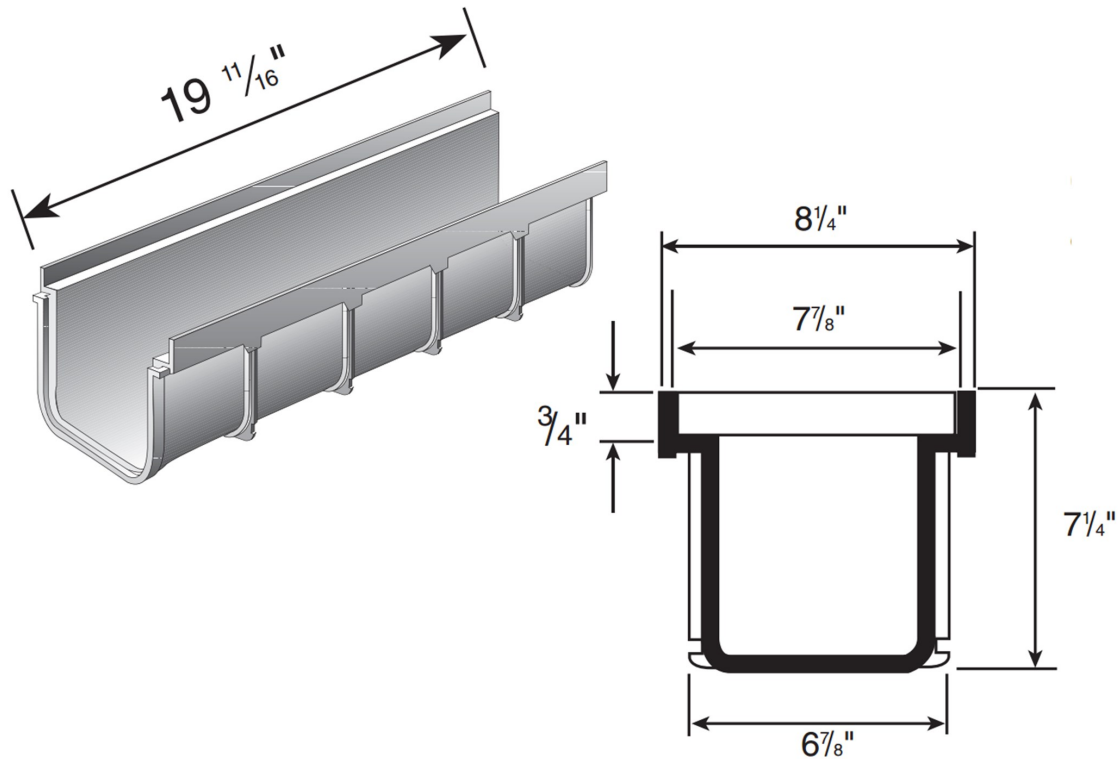




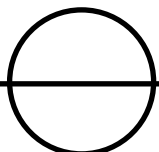
TECHNICAL SPECIFICATION



PART NUMBER	SIZE	MATERIAL	WEIGHT
833	8-1/4" X 7-1/4" X 19-11/16"	PVC WITH UV INHIBITORS	2.80 LBS

SPECIFICATION:

8" WIDE DEEP PROFILE CHANNEL DRAIN WITH MECHANICAL INTERLOCKING JOINTS.



8" PRO SERIES CHANNEL DRAIN

DEEP PROFILE

FOR PRODUCT ASSISTANCE, CONTACT NDS TECHNICAL SERVICE AT techservice@ndspro.com, DESIGN ASSISTANCE- designworx@ndspro.com
851 N. HARVARD AVE. LINDSAY, CA 93247 WWW.NDSPRO.COM 1-800-726-1994