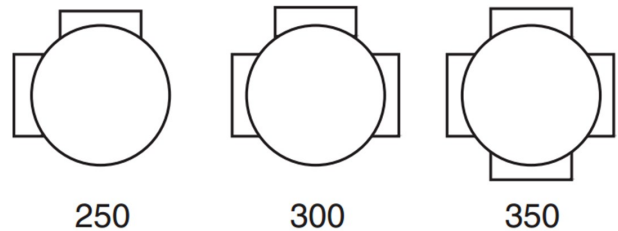
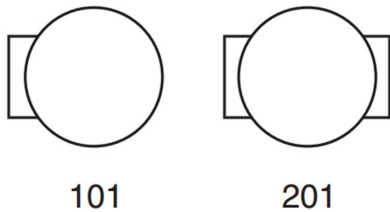
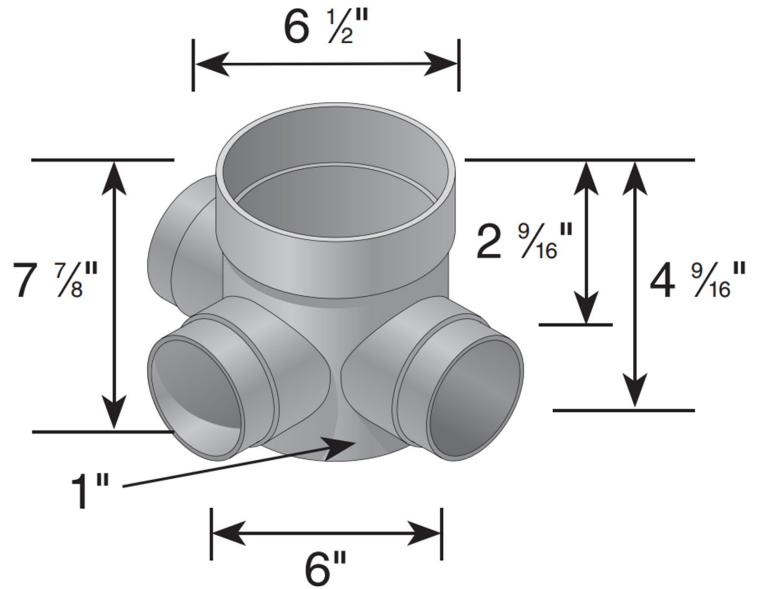
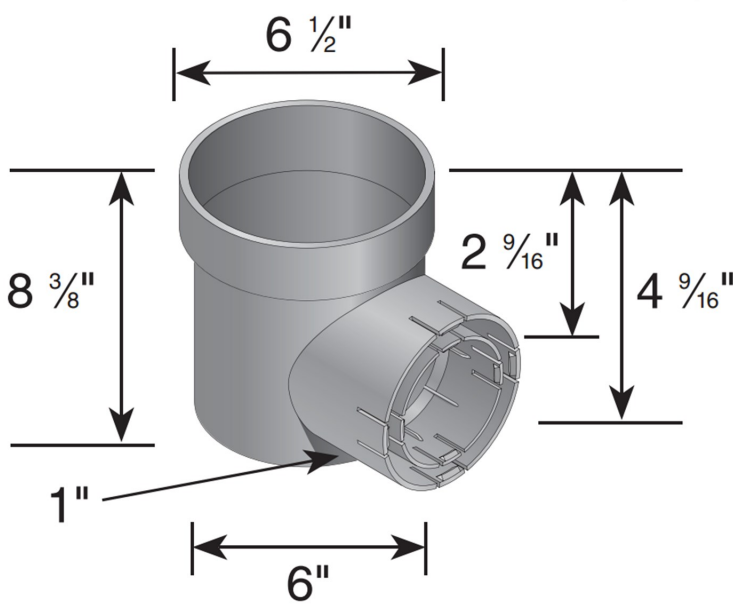


SPEE-D[®] BASINS



Material: Styrene

Colors: Black

Weight: #101 - 1.5 lbs, #201 - 1.825 lbs

Outlets: 1 - 3" & 4" Locking Outlet (101)

2 - 3" & 4" Locking Outlets (201)

Fits: 3" Triple wall, ASTM-2729, SDR-35, Corrugated Pipes

4" ASTM-2729, SCH-40, SDR-35, Corrugated Pipes

Use 6" SDR-35 Pipe as a riser.

Material: Styrene

Colors: Black

Weight: #250 - 1.64 lbs, #300 - 1.82 lbs, #350 - 1.998 lbs

Outlets: 2 - 4" 90° outlets (250)

3 - 4" Outlets (300)

4 - 4" Outlets (350)

Fits:

4" Sewer and Drain Fittings, ASTM 2729, SDR-35, SCH-40, Corrugated Pipes