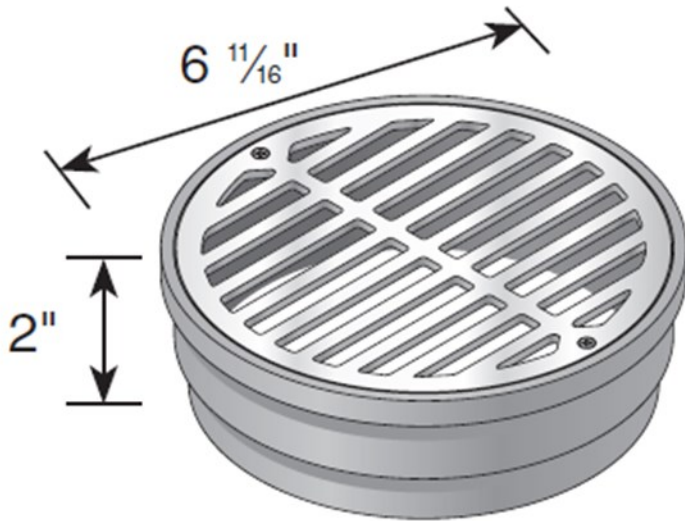


6" ROUND BRASS GRATE WITH STYRENE COLLAR



$\frac{3}{8}$ " Grate Opening



WEIGHT per EACH:

1.16 LBS



ADA Compliant

Material: Brass
 Colors: Satin Brass (918B), Polished Brass (919PB)
 Fits: Use with Spee-D Basin, 6" Sewer and Drain fittings, 6" Class 100 pipe
 Opening: 13.15in² open space
 Will accommodate 40.07 gallons per minute with 1/2" of head

Load Recommendation Guide



Class A

- Loads of 1-60 psi.
- Recommended for pedestrians, bicycles and wheel chair traffic.

ADA Compliance

NDS provides a wide selection of grates that are compliant with the Americans with Disabilities Act. The ADA Accessibility Guidelines For Buildings and Facilities Section 4.5.4 specifies that ground and floor grates "shall have spaces no greater than 1/2 in (13 mm) wide in one direction."

We are pleased to provide grates that comply with these requirements, so that no individual need be limited from accessing the area safely and confidently.

To see if a grate is ADA compliant, please check the description of the product in our NDS Drainage Catalog; products that meet these requirements are marked "ADA compliant."

Like to find out more about ADA compliance and NDS? Send us your question and we'd be happy to help.

