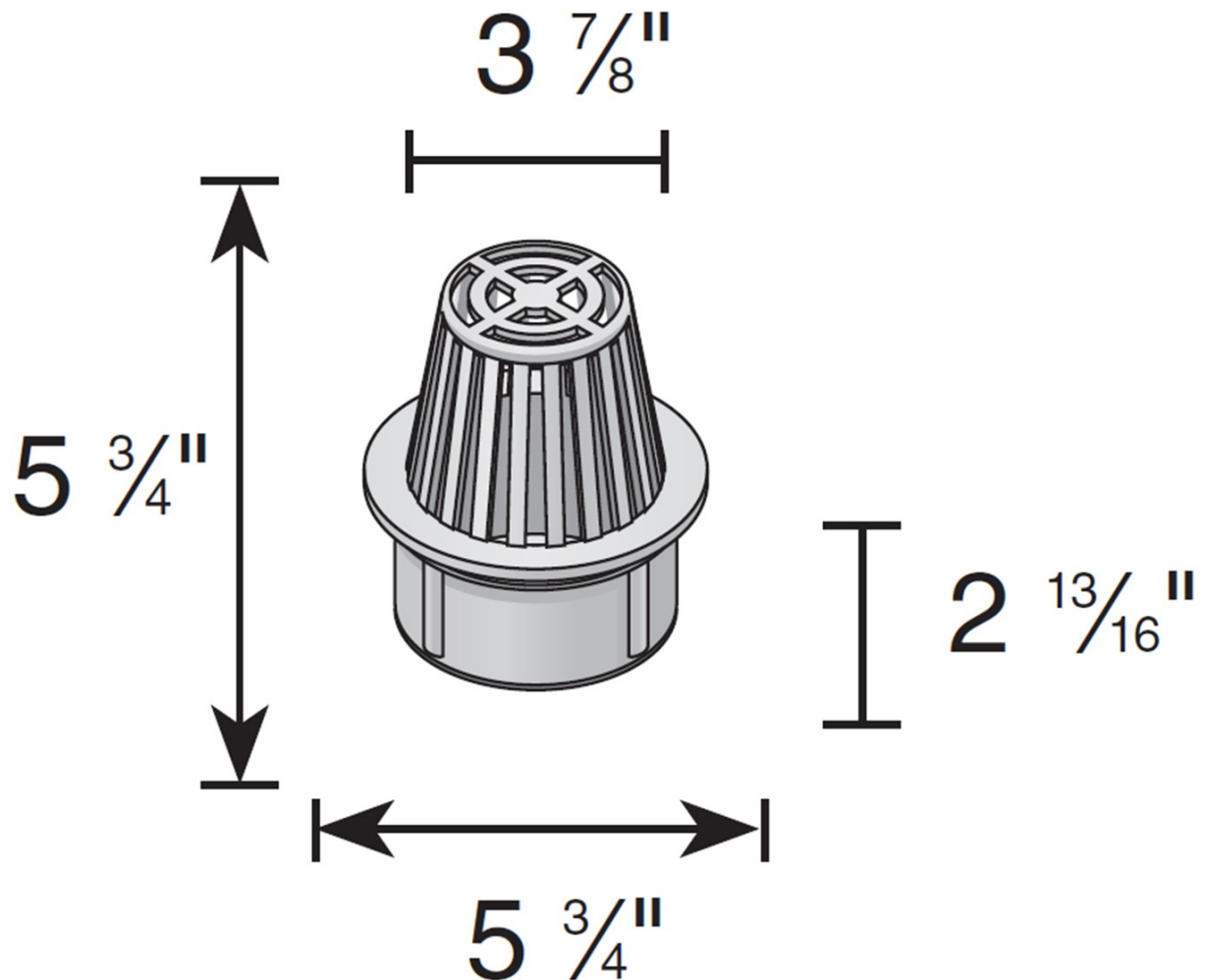


6" Atrium Brass Grate



Part #: 90B
 Material: Brass
 Color: Brass
 Fits: Spee-D Basin, 6" sewer, drain, pipe & fittings, 6" corrugated pipe.
 Grate Opening: 1/4"
 Open Surface Area: 22.5 Sq. Inches
 Head Pressure / Flow Rate:
Head (inches) - Max Flow
 1.0" = 97.34 GPM
 0.5" = 68.83 GPM
 Weight Per Each: 5.10 lbs.