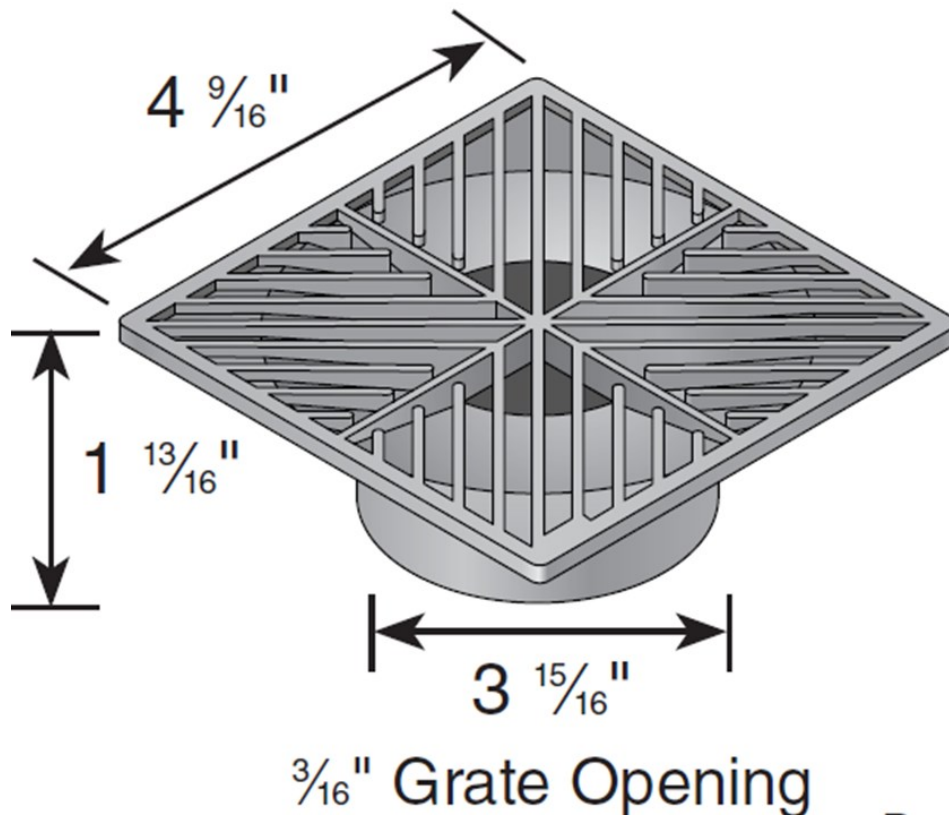


## 5" Square Grate



Part #: 7, 8, & 9  
 Material: (HDP) High Density Polypropylene  
 Color: #7(Green), #8(Black), & #9(Gray)  
 Fits: 4" sewer and drain pipe & fittings, 4" corrugated and triple wall pipe.  
 Grate Opening: 3/16"  
 Open Surface Area: 4.25 Sq. Inches  
 Head Pressure / Flow Rate:  
Head (inches) - Max Flow  
 1" = 18.39 GPM  
 0.5" = 13.00 GPM  
 Weight Per Each: 0.20 lbs.  
 UV inhibitor

### Load Recommendation Guide



#### Class A

- Loads of 1-60 psi.
- Recommended for pedestrians, bicycles and wheel chair traffic.

ADA Compliant/Heel-proof

