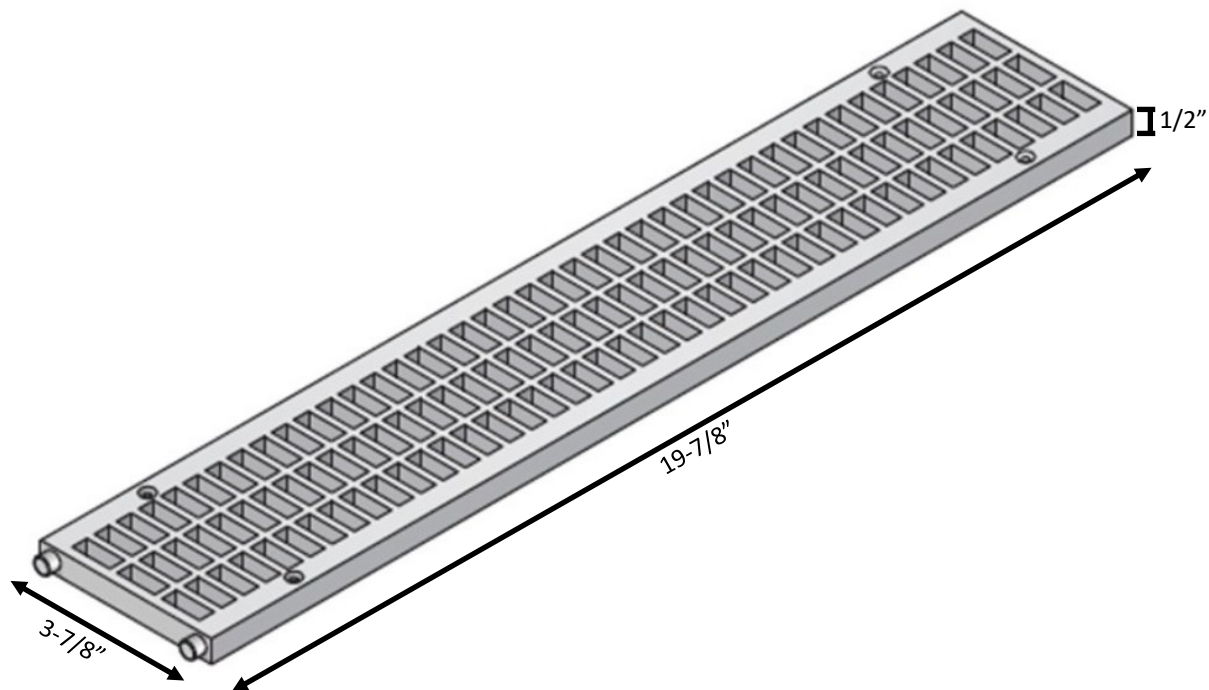




## TECHNICAL SPECIFICATION



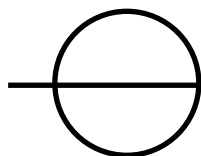
PART NUMBER	SIZE	SLOT WIDTH	LOAD CLASS	OPEN AREA FLOW RATE W/ 1/2" HEAD	WEIGHT	ADA	HEEL PROOF
714	3-7/8" X 19-11/16" X 1/2"	5/16" X 7/8"	B	23.63 IN <sup>2</sup> / LINEAR FOOT 72.29 GPM / LF	0.87 LBS	YES	NO

### SPECIFICATION:

MATERIAL: PVC WITH UV INHIBITORS

LOAD CLASS B— LOADS BETWEEN 61-175 PSI, RECOMMENDED FOR MEDIUM-DUTY PNEUMATIC TIRE TRAFFIC, AUTOS AND LIGHT TRUCKS AT SPEEDS LESS THAN 20 M.P.H.

FITS 3" PRO SERIES CHANNEL—2 GRATES PER CHANNEL



### 3" PRO SERIES GRATE

PVC

FOR PRODUCT ASSISTANCE, CONTACT NDS TECHNICAL SERVICE AT [techservice@ndspro.com](mailto:techservice@ndspro.com)  
851 N. HARVARD AVE. LINDSAY, CA 93247 WWW.NDSPRO.COM 1-800-726-1994