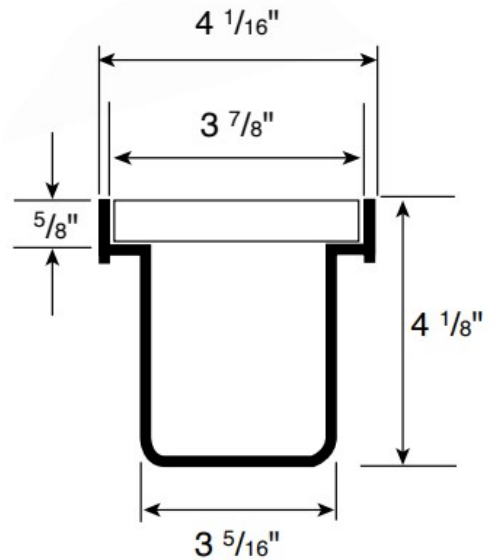
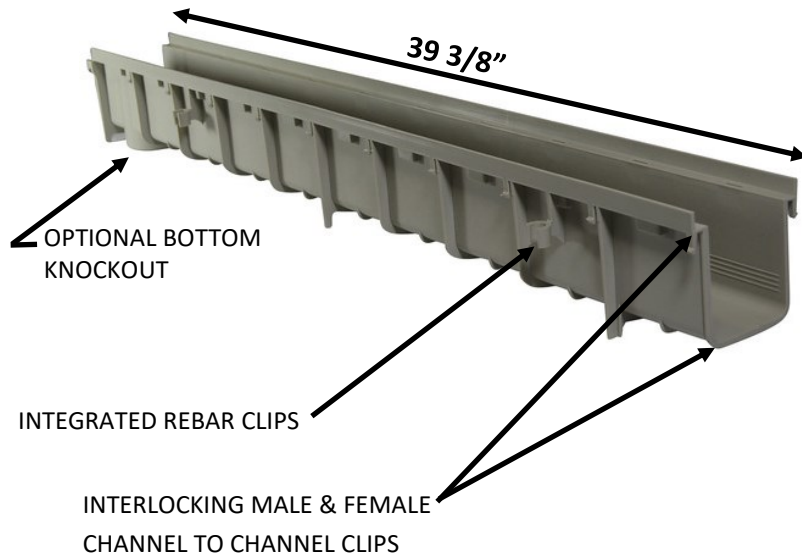




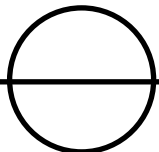
TECHNICAL SPECIFICATION



PART NUMBER	SIZE	MATERIAL	WEIGHT
710	4-1/16" X 4-1/8" X 39-3/8"	POLYPROPYLENE W/ UV INHIBITORS	1.90LBS

SPECIFICATION:

3" WIDE PROFILE CHANNEL DRAIN WITH MECHANICAL INTERLOCKING JOINTS.
INTEGRATED KNOCKOUT BOTTOM OUTLET THAT FIT 3" SEWER AND DRAIN FITTING
MOLDED REBAR CLIPS TO FIT #4 (1/2") REBAR



3" PRO SERIES CHANNEL DRAIN

FOR PRODUCT ASSISTANCE, CONTACT NDS TECHNICAL SERVICE AT techservice@ndspro.com, DESIGN ASSISTANCE- designworx@ndspro.com
851 N. HARVARD AVE. LINDSAY, CA 93247 WWW.NDSPRO.COM 1-800-726-1994