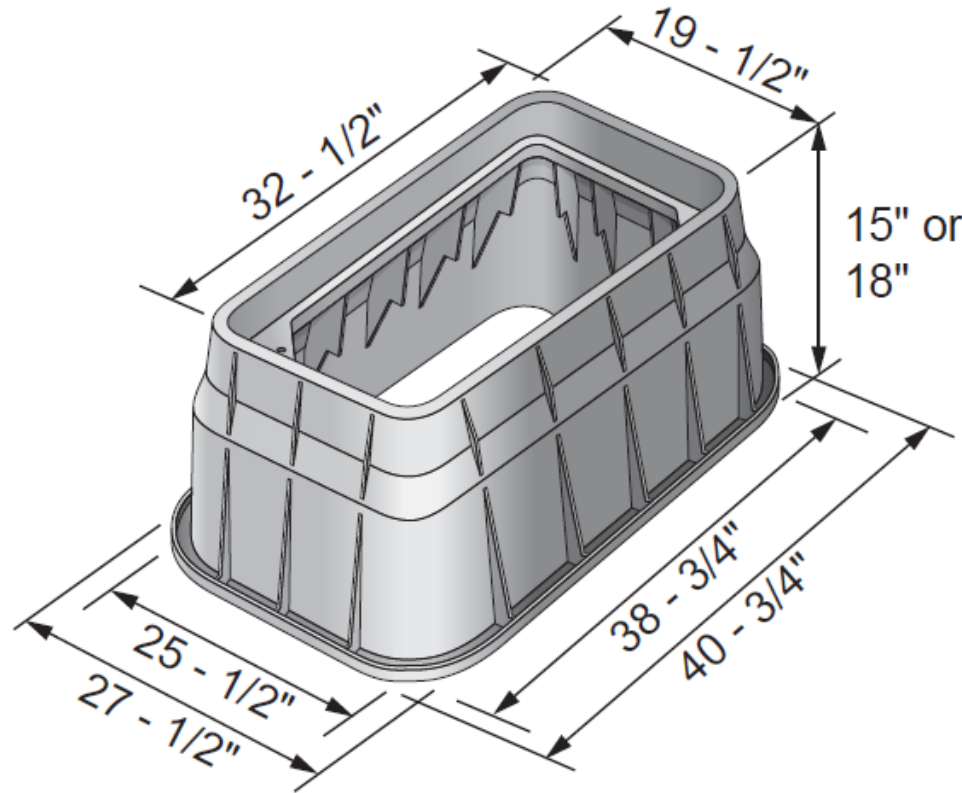
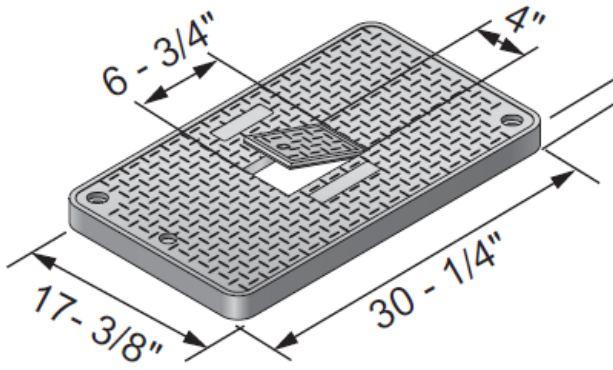


126BCDMB

17" x 30" x 18" Box, Bolt-Down Drop-in Plastic with Plastic Reader Cover – Water Meter



The NDS 17" x 30" meter boxes and cover are injection molded of structural foam polyolefin material with a melt index between 10-12. Coloring and UV stabilizers are added, along with processing lubricants when needed. The 17" x 30" body is tapered and has a minimum wall thickness of 0.32". The body has a double wall at the top cover seat area with a minimum thickness of 0.32". The cover seat area has 20 structural support ribs on the underside of the seat, each with a minimum thickness of 0.25". The bottom of the body has a 1" flange. The 17" x 30" cover has an average thickness of 0.35". The meter box has a 3/8" 304SS nut for the bolt-down as a standard feature.



Class A

- Loads of 1-60 psi.
- Recommended for pedestrians, bicycles and wheel chair traffic.