

Standard Series – 10 in. Round Valve Box

APPLICATION

- Protects critical infrastructure such as irrigation control valves, sewer cleanouts, and wire splices
- Provides easy access for service and maintenance

FEATURES

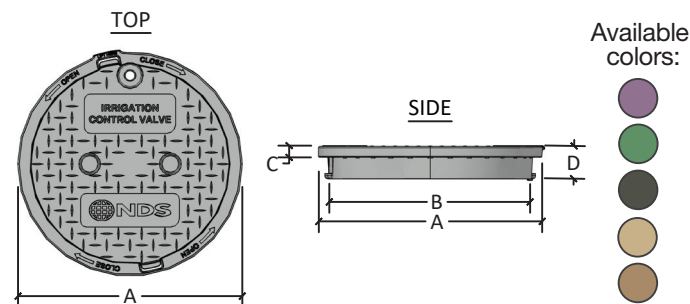
- Structural support ribs reinforce box for added strength
- Universal Locking Mechanism (ULM)—patented design
 - Enables various sizes of bolts/screws to secure cover with a size range of 5/16 in. to 3/8 in. in diameter and minimum 1-1/2 in. long
 - Nut is no longer needed but speed nut slot also exists (speed nut not included)
- Bayonet twist-lock cover for easy removal
- Made in USA

SPECIFICATIONS

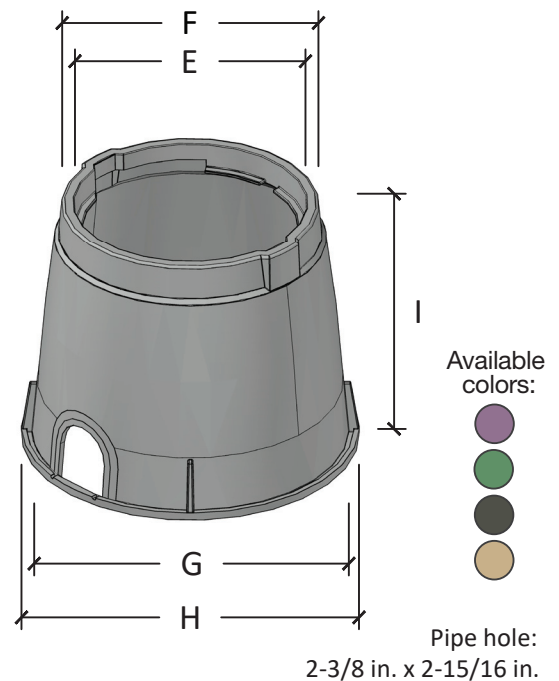
- Box material: PP
- Cover material: HDPE
- Box weight: 2.07 lbs.
- Cover weight: 0.75 lbs.
- Load rating: Pedestrian and lawn care equipment

WARRANTY

- Limited one-year warranty



Cover Dimensions (nominal)	
A. Top diameter	9-5/8 in.
B. Bottom diameter	8-3/4 in.
C. Rim thickness	1/2 in.
D. Overall height	1-3/8 in.



Box Dimensions (nominal)	
E. Top inside diameter	8-7/8 in.
F. Top outside diameter	9-3/4 in.
G. Bottom inside diameter	11-3/4 in.
H. Bottom outside diameter	12-7/8 in.
I. Height	10 in.

Box and Cover

PART NUMBER	DESCRIPTION	BOX COLOR	COVER COLOR	COVER MARKING
111BC	BOX WITH OVERLAPPING COVER	BLACK	GREEN	IRRIGATION CONTROL VALVE
111BC BLK	BOX WITH OVERLAPPING COVER	BLACK	BLACK	IRRIGATION CONTROL VALVE
111BC SAND	BOX WITH OVERLAPPING COVER	SAND	SAND	IRRIGATION CONTROL VALVE
111BCB	BOX WITH OVERLAPPING COVER (INCLUDES BOLT)	BLACK	GREEN	IRRIGATION CONTROL VALVE
111BCBW	BOX WITH OVERLAPPING COVER (INCLUDES BOLT)	BLACK	GREEN	WATER
111BCR	BOX WITH OVERLAPPING COVER	BLACK	PURPLE	RECLAIMED WATER
111BCR BLK	BOX WITH OVERLAPPING COVER	BLACK	BLACK	RECLAIMED WATER
111BCS	BOX WITH OVERLAPPING COVER	BLACK	GREEN	SEWER
111BCW	BOX WITH OVERLAPPING COVER	BLACK	GREEN	WATER
111PBCR	BOX WITH OVERLAPPING COVER	PURPLE	PURPLE	RECLAIMED WATER
112BC	BOX WITH OVERLAPPING COVER	GREEN	GREEN	IRRIGATION CONTROL VALVE
112BCB	BOX WITH OVERLAPPING COVER (INCLUDES BOLT)	GREEN	GREEN	IRRIGATION CONTROL VALVE
112BCRG	BOX WITH OVERLAPPING COVER	GREEN	GREEN	RECLAIMED WATER
112BCS	BOX WITH OVERLAPPING COVER	GREEN	GREEN	SEWER
112BCW	BOX WITH OVERLAPPING COVER	GREEN	GREEN	WATER
112BCE	BOX WITH OVERLAPPING COVER	GREEN	GREEN	ELECTRICAL

Cover Only

PART NUMBER	DESCRIPTION	COVER COLOR	COVER MARKING
111C	OVERLAPPING COVER	GREEN	IRRIGATION CONTROL VALVE
111C BLK	OVERLAPPING COVER	BLACK	IRRIGATION CONTROL VALVE
111C BRN	OVERLAPPING COVER	BROWN	IRRIGATION CONTROL VALVE
111C SAND	OVERLAPPING COVER	SAND	IRRIGATION CONTROL VALVE
111CR	OVERLAPPING COVER	PURPLE	RECLAIMED WATER
111CRG	OVERLAPPING COVER	GREEN	RECLAIMED WATER
111CS	OVERLAPPING COVER	GREEN	SEWER
111CW BLK	OVERLAPPING COVER	BLACK	WATER
111CW	OVERLAPPING COVER	GREEN	WATER

Box Only

PART NUMBER	DESCRIPTION	BOX COLOR
111B	BOX	BLACK
112B	BOX	GREEN

Accessories

PART NUMBER	DESCRIPTION	SIZE
111BB	STAINLESS STEEL BOLT	1-3/4" X 5/16"