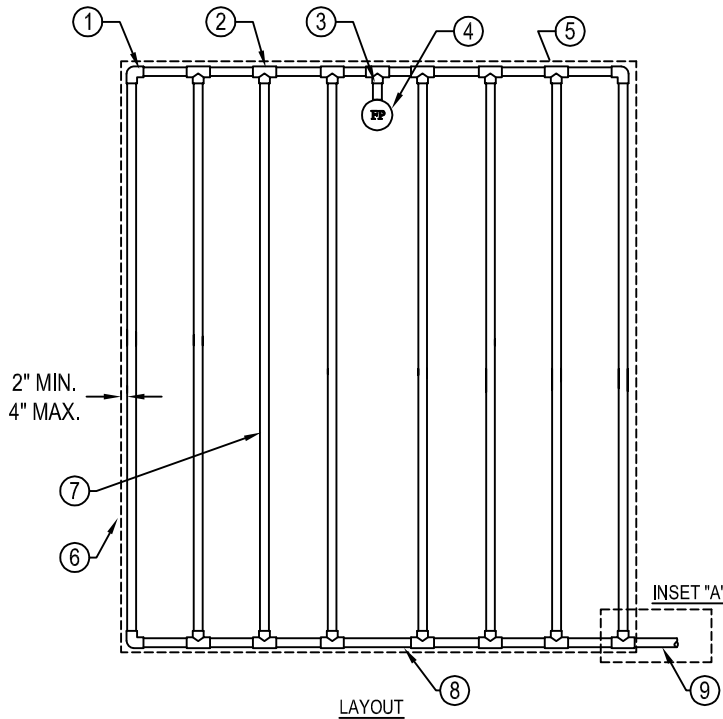




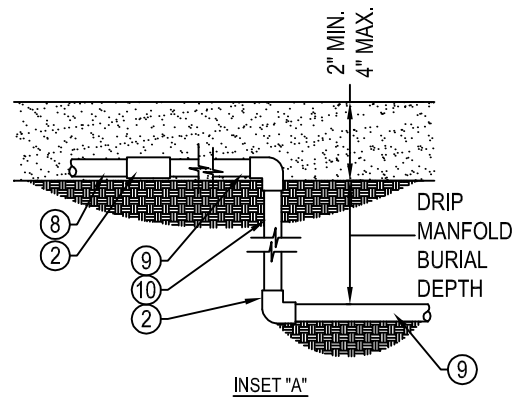
NDS, INC.
 851 NORTH HARVARD AVE.
 LINDSAY, CA 93247
 TOLL FREE: 1-800-726-1994
 PHONE: (559) 562-9888
 FAX: (559) 562-4488
 www.ndspro.com



LEGEND:

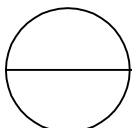
- ① PVC EXHAUST HEADER
- ② PVC SCHEDULE 40 "T" OR "L" (TYPICAL)
- ③ BARB "X" MALE FITTING, BTMA 1750 (TYPICAL)
- ④ FLUSH POINT, CEP 18 (TYPICAL)
- ⑤ PERIMETER OF AREA
- ⑥ PERIMETER DRIP LINE PIPE TO BE INSTALLED 2" MIN. 4" MAX. FROM PERIMETER OF AREA. DURA-FLO CV
- ⑦ ON-SURFACE DRIP LINE,
- ⑧ PVC SUPPLY HEADER
- ⑨ PVC DRIP MANIFOLD FROM FILTERED AND REGULATE ZONE VALVE KIT (SIZED TO MEET LATERAL FLOW DEMAND)
- ⑩ PVC SCHEDULE 40 RISER PIPE.
- ⑪ MULCH

		DURA-FLO CV MAXIMUM LENGTH OF RUN (FEET)								
		17 MM SERIES - (0.560" ID X 0.660" O.D.)								
		12" SPACING			18" SPACING			24" SPACING		
INITIAL PRESSURE		0.4 GPH	0.6 GPH	0.9 GPH	0.4 GPH	0.6 GPH	0.9 GPH	0.4 GPH	0.6 GPH	0.9 GPH
15 PSI		261'	221'	161'	347'	292'	214'	420'	354'	260'
20 PSI		357'	300'	221'	477'	399'	294'	576'	488'	358'
25 PSI		422'	354'	259'	563'	471'	346'	684'	575'	421'
30 PSI		471'	395'	289'	629'	526'	385'	765'	642'	471'
35 PSI		514'	429'	314'	687'	571'	418'	835'	699'	512'
40 PSI		550'	460'	336'	735'	618'	449'	893'	748'	549'
45 PSI		582'	486'	355'	779'	650'	473'	947'	791'	581'
50 PSI		610'	508'	372'	818'	677'	493'	995'	830'	610'



NOTES:

1. DISTANCE BETWEEN LATERAL RINGS AND EMITTER SPACING TO BE BASED ON SOIL TYPE AND TREE CANOPY. SEE NDSPRO.COM FOR SUGGESTED SPACING.
2. LENGTH OF LONGEST DRIP LINE LATERAL SHOULD NOT EXCEED THE MAXIMUM LENGTH OF RUN SHOWN ON TABLE.
3. INSTALLATION TO BE COMPLETED IN ACCORDANCE WITH MANUFACTURER'S SPECIFICATIONS.
4. DO NOT SCALE DRAWING.
5. THIS DRAWING IS INTENDED FOR USE BY ARCHITECTS, ENGINEERS, CONTRACTORS, CONSULTANTS AND DESIGN PROFESSIONALS FOR PLANNING PURPOSES ONLY.
6. ALL INFORMATION CONTAINED HEREIN WAS CURRENT AT THE TIME OF DEVELOPMENT BUT MUST BE REVIEWED AND APPROVED BY THE PRODUCT MANUFACTURER TO BE CONSIDERED ACCURATE.



DURA-FLO CV - ON-SURFACE DRIPLINE END FEED LAYOUT