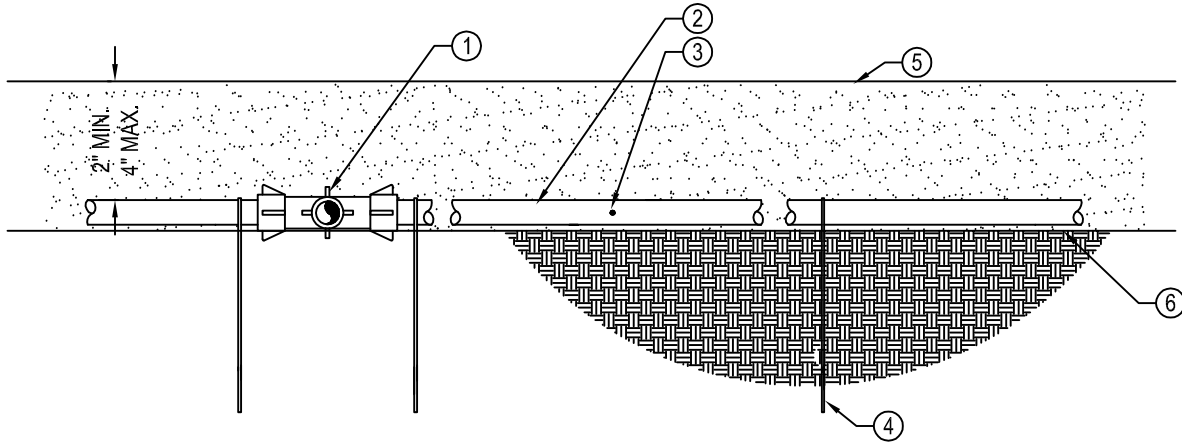




NDS, INC.
 851 NORTH HARVARD AVE.
 LINDSAY, CA 93247
 TOLL FREE: 1-800-726-1994
 PHONE: (559) 562-9888
 FAX: (559) 562-4488
 www.ndspro.com



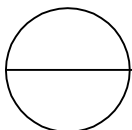
SECTION

LEGEND:

- ① SMART-LOC COMPRESSION TEE, CT18
- ② ON SURFACE DRIP LINE, DURA FLO CV
- ③ INLINE DRIP EMITTER OUTLET
- ④ TIE DOWN STAKE, S8
- ⑤ MULCH
- ⑥ FINISH GRADE

NOTES:

1. PLACE TIE-DOWN STAKES EVERY 3'-0" O.C. IN SAND 4'-0" O.C. IN LOAM AND 5'-0" O.C. IN CLAY SOILS.
2. AT FITTING WHERE THERE IS A CHANGE OF DIRECTION SUCH AS TEES OR ELBOWS, USE TIE-DOWN STAKES ON EACH LEG OF THE CHANGE OF DIRECTION.
3. INSTALLATION TO BE COMPLETED IN ACCORDANCE WITH MANUFACTURER'S SPECIFICATIONS.
4. DO NOT SCALE DRAWING.
5. THIS DRAWING IS INTENDED FOR USE BY ARCHITECTS, ENGINEERS, CONTRACTORS, CONSULTANTS AND DESIGN PROFESSIONALS FOR PLANNING PURPOSES ONLY.
6. ALL INFORMATION CONTAINED HEREIN WAS CURRENT AT THE TIME OF DEVELOPMENT BUT MUST BE REVIEWED AND APPROVED BY THE PRODUCT MANUFACTURER TO BE CONSIDERED ACCURATE.



DURA-FLO CV - ON-SURFACE DRIPLINE AT GRADE