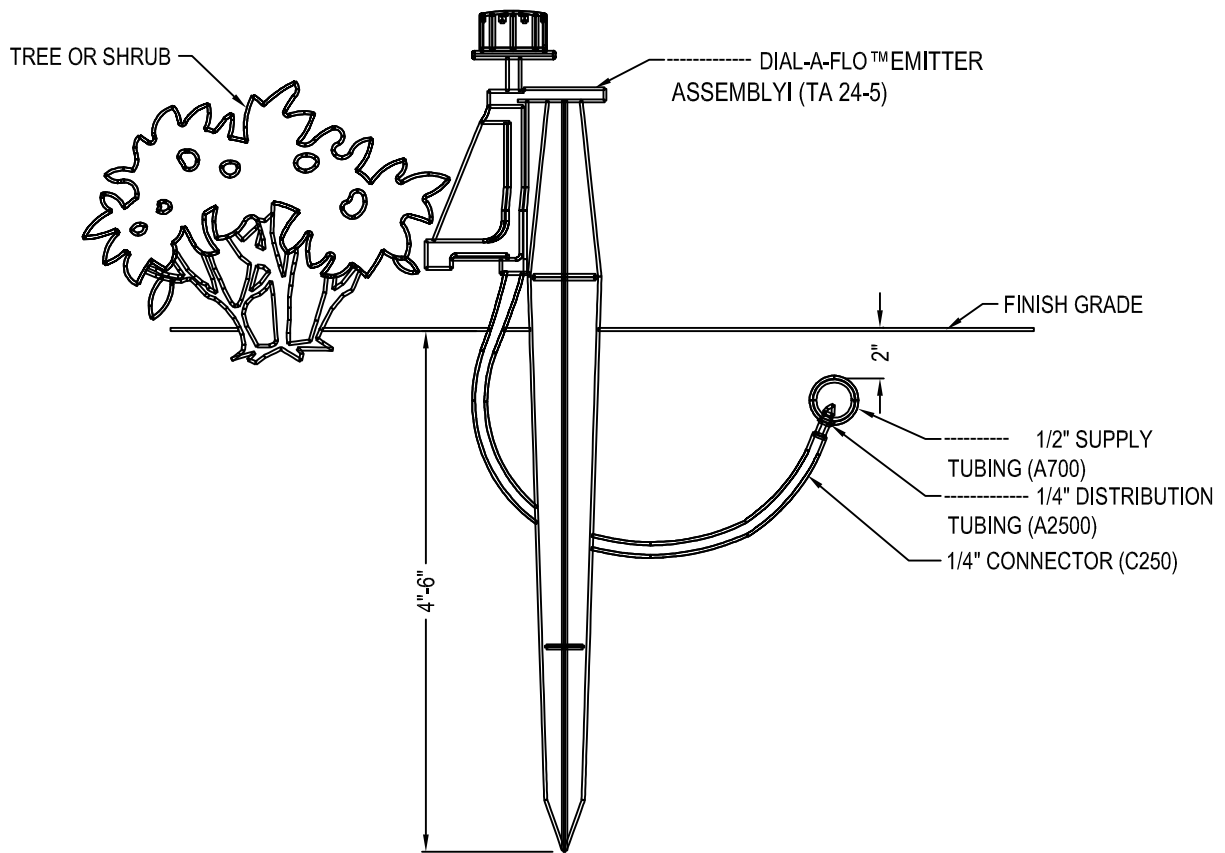




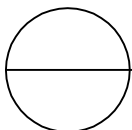
NDS, INC.
851 NORTH HARVARD AVE.
LINDSAY, CA 93247
TOLL FREE: 1-800-726-1994
PHONE: (559) 562-9888
FAX: (559) 562-4488
www.ndspro.com



SECTION

NOTES:

1. SUPPLY TUBING (A700) TO BE USED WITH 700 SERIES FITTINGS.
2. 1/4" DISTRIBUTION TUBING (A20) TO BE USED BETWEEN STAKE AND 1/2" SUPPLY TUBING.
3. ADJUST DIAL-A-FLO™ TO DESIRED DISCHARGE BY ROTATING THE CAP.
4. INSTALLATION TO BE COMPLETED IN ACCORDANCE WITH MANUFACTURER'S SPECIFICATIONS.
5. DO NOT SCALE DRAWING.
6. THIS DRAWING IS INTENDED FOR USE BY ARCHITECTS, ENGINEERS, CONTRACTORS, CONSULTANTS AND DESIGN PROFESSIONALS FOR PLANNING PURPOSES ONLY.
7. ALL INFORMATION CONTAINED HEREIN WAS CURRENT AT THE TIME OF DEVELOPMENT BUT MUST BE REVIEWED AND APPROVED BY THE PRODUCT MANUFACTURER TO BE CONSIDERED ACCURATE.



NDS, INC. IRRIGATION

DIAL-A-FLO EMITTER 2