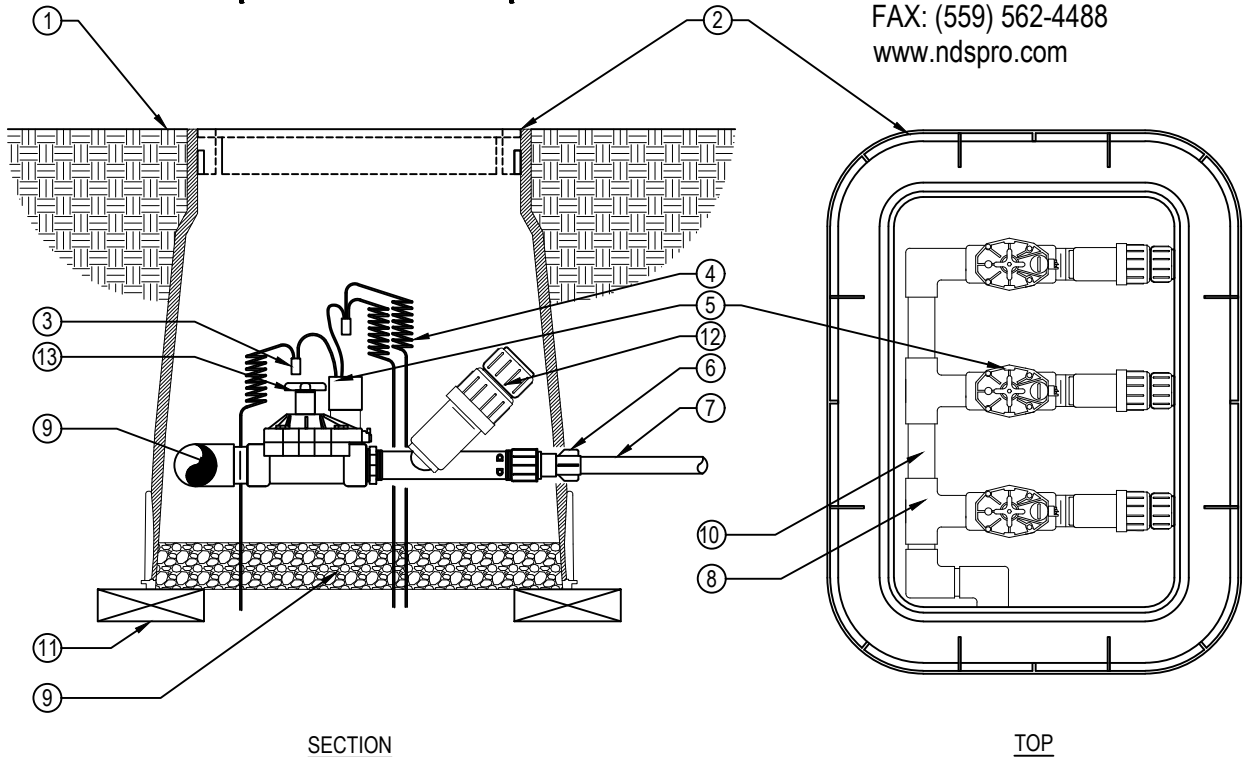


# NDS®

We put water in its place

NDS, INC.  
851 NORTH HARVARD AVE.  
LINDSAY, CA 93247  
TOLL FREE: 1-800-726-1994  
PHONE: (559) 562-9888  
FAX: (559) 562-4488  
www.ndspro.com

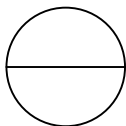


**LEGEND:**

- ① FINISHED GRADE
- ② STANDARD VALVE BOX WITH COVER: NDS 113BC
- ③ WATERPROOF CONNECTION
- ④ 30" LENGTH OF WIRE COILED
- ⑤ CONTROL ZONE KIT CZK100-30F  
(KIT INCLUDES: REMOTE CONTROL VALVE, 30 PSI PRYF PRESSURE REGULATION FILTER AND SMART-LOC STARTER FITTING)
- ⑥ NDS SMART-LOC FITTING PART OF (CONTROL ZONE KIT CZK100-30F)
- ⑦ DRIP TUBING
- ⑧ PVC SCHEDULE 40 TEE OR ELL TO MANIFOLD
- ⑨ 3" MIN. DEPTH OF ¾" WASHED GRAVEL
- ⑩ MANIFOLD PIPE AND FITTINGS
- ⑪ BRICK (TYPICAL EACH CORNER)
- ⑫ PRYF-30 (30 PSI) FILTER WITH FLUSH CAP PART OF (CONTROL ZONE KIT CZK100-30F)
- ⑬ FLOW CONTROL HANDLE

**NOTES:**

1. INSTALLATION TO BE COMPLETED IN ACCORDANCE WITH MANUFACTURER'S SPECIFICATIONS.
2. DO NOT SCALE DRAWING.
3. THIS DRAWING IS INTENDED FOR USE BY ARCHITECTS, ENGINEERS, CONTRACTORS, CONSULTANTS AND DESIGN PROFESSIONALS FOR PLANNING PURPOSES ONLY.
4. ALL INFORMATION CONTAINED HEREIN WAS CURRENT AT THE TIME OF DEVELOPMENT BUT MUST BE REVIEWED AND APPROVED BY THE PRODUCT MANUFACTURER TO BE CONSIDERED ACCURATE.



## NDS PROFESSIONAL IRRIGATION

**CONTROL ZONE KIT - CZK100-30F (FLOW RANGE = .2-5 GPM)**