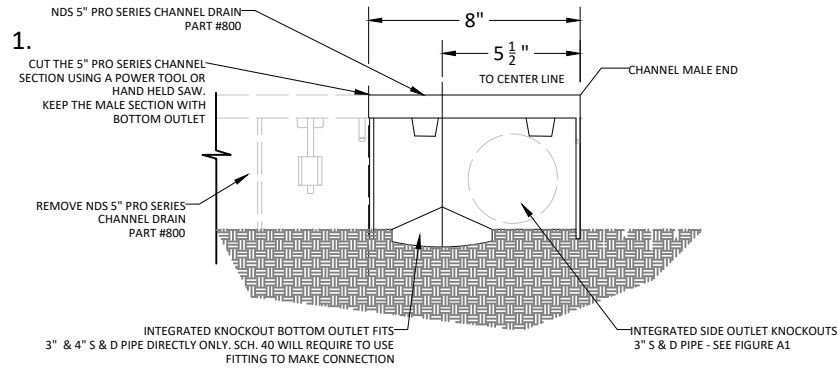
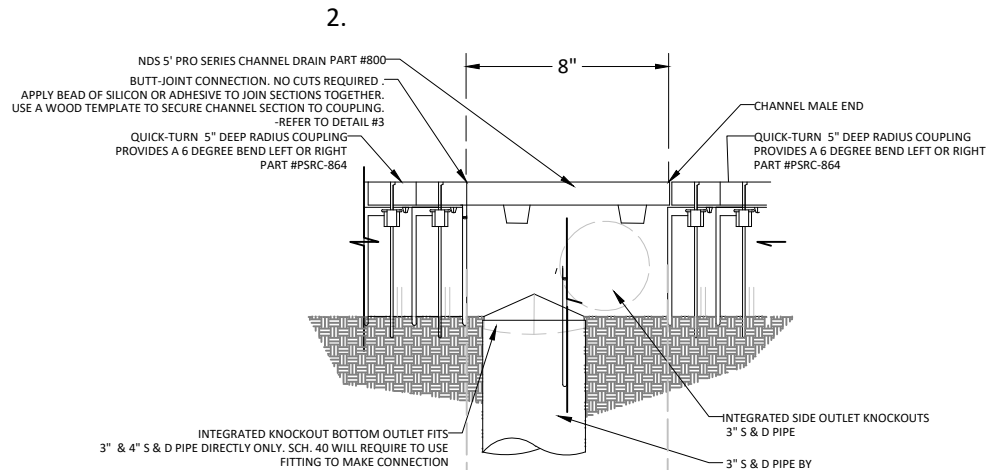




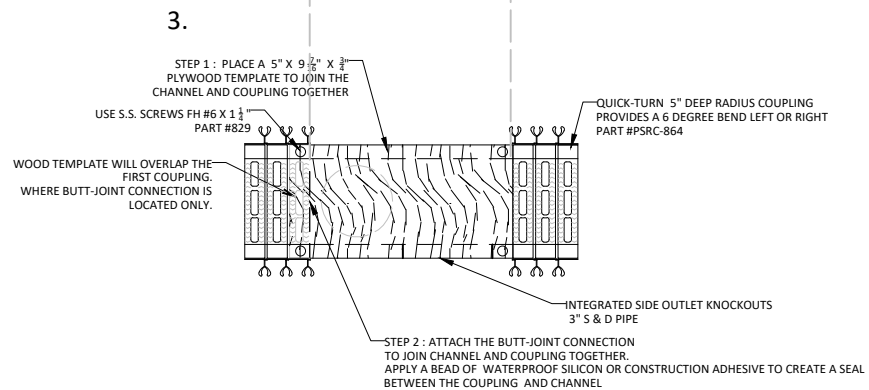
## 5 IN PRO BTM OUTLET



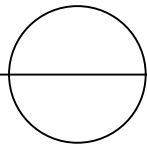
SIDE PROFILE



SIDE PROFILE W/ PSRC-864



TOP VIEW - W/ PSRC-864



## BTM OUTLET ON PSRC -864 RADIUS TRENCH DRAINS

N.T.S.