



StormChamber™ System

Easy Inspection and Maintenance

Exceeds HS20 / HS25

Less components

Deeper cover

100+ year lifespan

INFILTRATION

STORAGE

REUSE

CONVEYANCE

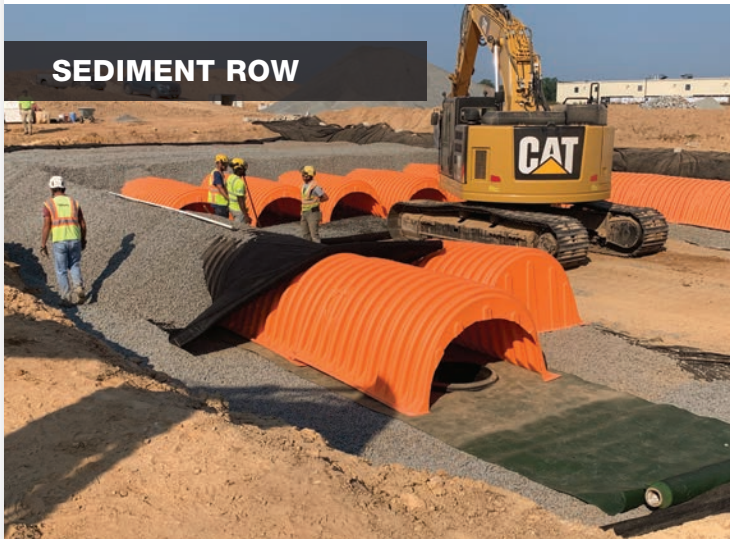
ndspro.com

MADE IN
USA

StormChamber™ System

Easy Access Inspect – Simpler Maintenance – Design Flexibility

SEDIMENT ROW



Inlets connect via a sediment row, traps TSS before entering the main chamber system.

- Fabric-wrapped inlet row traps TSS for removal
- Internal bypass eliminates expensive manifolds
- Optional with or without header manifolds
- Simpler design, less components, smaller footprint

SEDIMENT TRAP

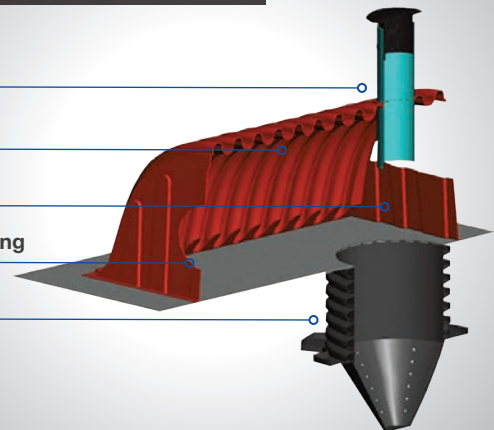
Riser Pipe

Start Chamber

Weir

Inlet Pipe Opening

SedimenTrap™



StormChamber™ System patented SedimenTrap™ product allows easy maintenance with lower O&M cost.

- Lowers total cost of ownership
- Built-in weir wall helps trap sediment
- Inspection can be done without a 3rd party
- Save water and cost, avoiding jet cleaning

DEEPER COVER



Heavy-duty HDPE allows StormChamber™ System to handle deep cover.

- Max cover of 16 ft. for SC-18, SC-34 chambers
- Max cover 8 ft. for SC-44 chambers
- Allows deeper pipe inverts
- Bury system below frost line

MULTI-STACKING



Multi-stacking reduces system footprint and can increase storage capacity in a limited space.

- Stacking can resolve tight area constraints
- SC-34 stacks up to 4 layers deep
- 20 years of experience/success
- AASHTO load rated

NDS® StormChamber™ Systems



SC-44



SC-34



SC-18

Nominal Design Specifications Comparison

Chamber Storage	88 ft³ (2.5 m³)	72 ft³ (2.04 m³)	21 ft³ (0.6 m³)
Installed Storage w/stone	147 ft³ (4.2 m³)	107 ft³ (3.0 m³)	41 ft³ (1.2 m³)
Height	41" (1041 mm)	34" (864 mm)	18" (457 mm)
Width	80" (2032 mm)	60" (1524 mm)	38" (965 mm)
Actual Length (Closed Unit)	87" (2210 mm)	103" (2616 mm)	101" (2565 mm)
Installed Length (Start/End Unit)	80" (2023 mm)	97" (2464 mm)	96" (2438 mm)
Installed Length (Middle Unit)	74" (1880 mm)	91" (2311 mm)	91.25" (2318 mm)
Weight	120 lbs (54.4 kg)	100 lbs (45.4 kg)	53 lbs (24.0 kg)
Chamber per Pallet	9-20	30	50
Material	HDPE	HDPE	HDPE
ASTM Standard F2922/F2787	Exceeds	Exceeds	Exceeds

Installation Specification Comparison

Minimum Stone Above Chambers	12" (305 mm)	6" (152 mm)	6" (152 mm)
Minimum Stone Below Chambers	9" (229 mm)	6" (152 mm)	6" (152 mm)
Minimum Chamber Row Spacing	9" (229 mm)	6" (152 mm)	6" (152 mm)
Minimum Stone Border	12" (305 mm)	12" (305 mm)	12" (305 mm)
Maximum Cover	8 ft. (2.44 m)	16" (4.88 m)	16" (4.88 m)
Minimum Cover	22" (559 mm)	18" (457 mm)	18" (457 mm)

Product Codes

Start Unit	SC-44105-S-O	SC-3475-S-O	SC-1820-S-O
Middle Unit	SC-44105-M-O	SC-3475-M-O	SC-1820-M-O
End Unit	SC-44105-E-O	SC-3475-E-O	SC-1820-E-O
Closed Unit	SC-44105-C-O	SC-3475-C-O	SC-1820-C-O



HydroCad®
Stormwater
Modeling

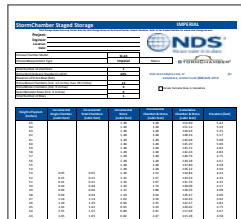


Our CAD technicians and engineering staff are available to assist you with all aspects of your project. Contact Technical Support 888-825-4716

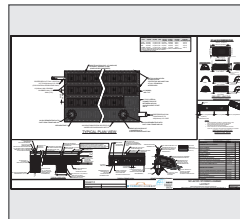
Find tools on ndspro.com



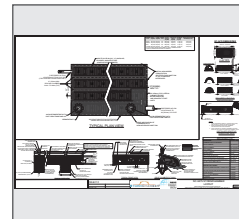
Volume Calculator



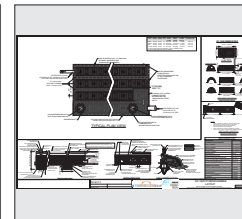
Stage Storage



SC-44 Detail



SC-34 Detail



SC-18 Detail

Visit ndspro.com for:



Videos



Tools/
Calculators



Downloads



Case
Studies



NDS
Design
Worx®
Services



Request
a Quote

NDS Customer Service

8800 W. Hurley Ave, Visalia, CA 93291

Phone: 800.726.1994 (option 3)