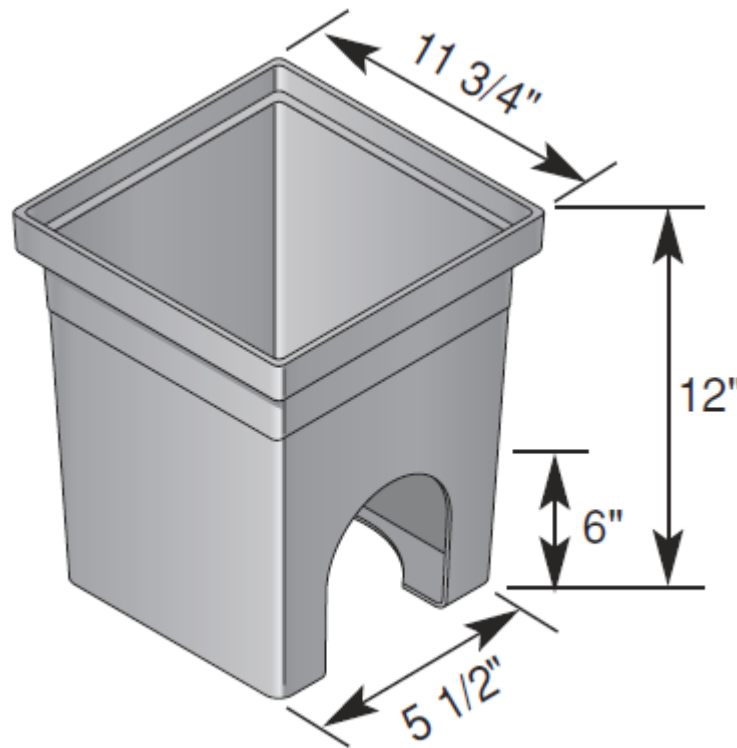


12" X 12" BACKWATER VALVE BOX



Part #: 1219

Frame Material: Styrene

Body Color: Black

Weight: 5.90 lbs.