

## FLEXEE PIPE FITTINGS

MADE OF ACETAL  
 RATED AT 80 P.S.I. AT 72°F

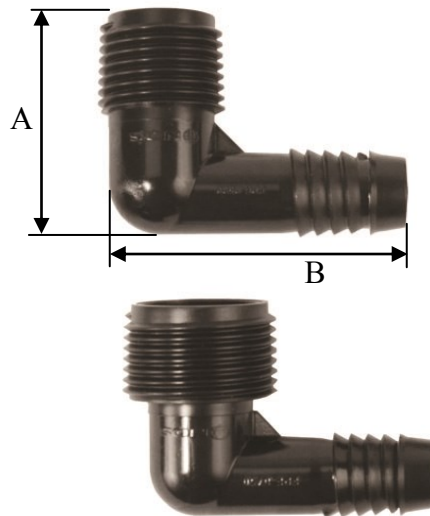
FITS 1/2" POLYETHYLENE TUBING  
 FITS SCHEDULE 40 PIPE THREAD

MIPT—MALE IRON PIPE THREAD

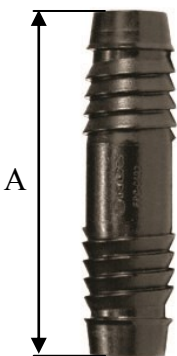
FPA



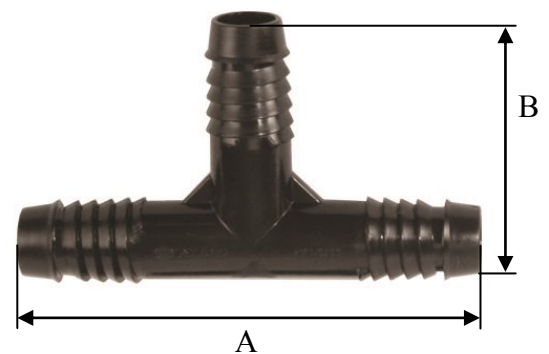
FPE



FPC



FPT



PART NUMBER	DESCRIPTION	A (INCHES)	B (INCHES)	WEIGHT (OUNCES)
FPA-0500	1/2" MIPT X 1/2" BARBED FLEXEE PIPE ADAPTER	2.11	N/A	0.16
FPA-0750	3/4" MIPT X 1/2" BARBED FLEXEE PIPE ADAPTER	2.12	N/A	0.32
FPC-0490	1/2" BARBED FLEXEE PIPE CONNECTOR	2.08	N/A	0.16
FPE-0500	1/2" MIPT X 1/2" BARBED FLEXEE PIPE ELBOW	1.43	2.00	0.32
FPE-0750	3/4" MIPT X 1/2" BARBED FLEXEE PIPE ELBOW	1.43	2.08	0.32
FPT-0500	1/2" BARBED FLEXEE PIPE TEE	2.98	1.76	0.32